

# CM series energy power batteries



## Introduce

TCSN CM series features high-rate, long-life LFP batteries and an integrated, high-quality BMS. Bid farewell to bulk and embrace efficiency as we redefine power for cleaning equipment; compared to traditional batteries, the volume has been reduced by approximately 30%, freeing up valuable space for equipment design.

## Features

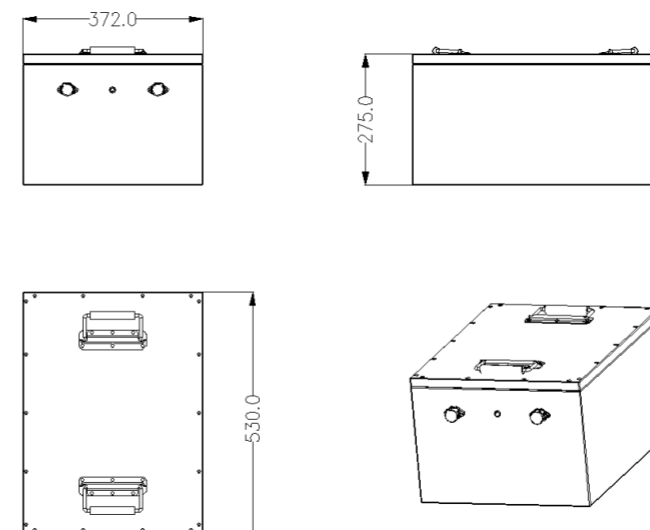
- 
**Shock-resistant design**  
 Automotive-Grade Vibration-Resistant Design  
 Unafraid of Bumps — Rock-Solid Stability
- 
**Safe and worry-free**  
 Using LFP batteries ensures high safety, no fire, and no explosion.
- 
**Worry-Free After-Sales Service**  
 5-Year Standard Warranty  
 Long-Lasting Protection — Extendable
- 
**Low self-discharge**  
 Significantly Reduced Power Loss During Hibernation  
 Monthly Self-Discharge  $\leq 2\%$
- 
**Long-lasting battery life**  
 For the same volume, battery life is significantly improved.
- 
**High-Efficiency Fast Charging**  
 Supports 1C fast charging.  
 Standard charging can fully charge the device within 2.5 hours.

## Performance

Model	Dubhe CM24-150
<b>Performance</b>	
Cell	Square LFP150Ah
Terminal	M8
IP Grade	IP67
Self Discharge	$\leq 2\%$ /Month
Cycle Life	6000times(80%DOD)
Rated Charge Current	50A
Max. Charge Current	100A
Rated Charge Voltage	27.2~27.6V
Charge Cut-off Voltage	29.2V
Balancing Voltage	$>27.2V$
Rated Discharge Current	50A
Max. Discharge Current	100A
Rated Discharge Cut-off Voltage	22.4V
Min. Discharge Cut-off Voltage	$>20V$
Short Circuit Current	Approx.3000A

Performance parameters	
Capacity	150 Ah(0.5C@25°C)
Nominal Voltage	25.6V
Energy	3840Wh
Weight	~42 kg
Dimensions	530*372*275mm
Communication interface	/
LCD Panel	/
Storage Temp	-5°C to 35°C
Discharge Temp	-20°C to 55°C
Charge Temp	0°C to 45°C

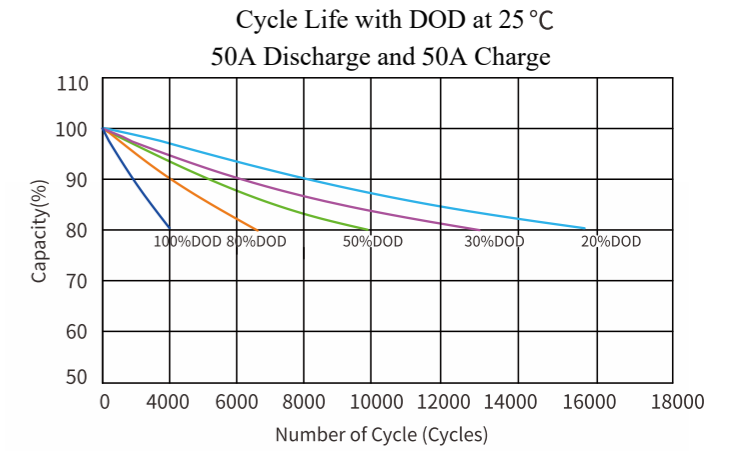
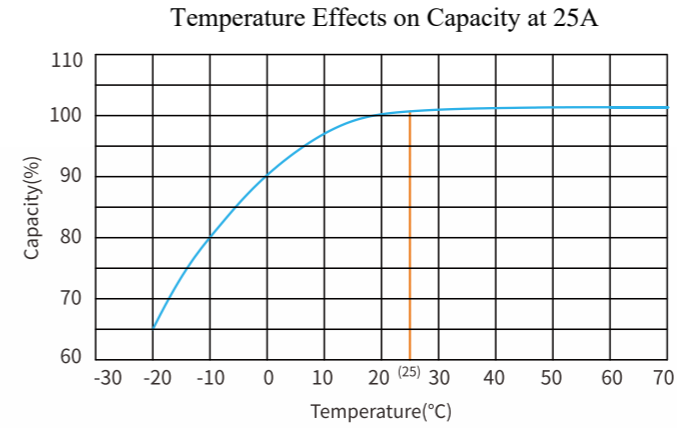
### Size



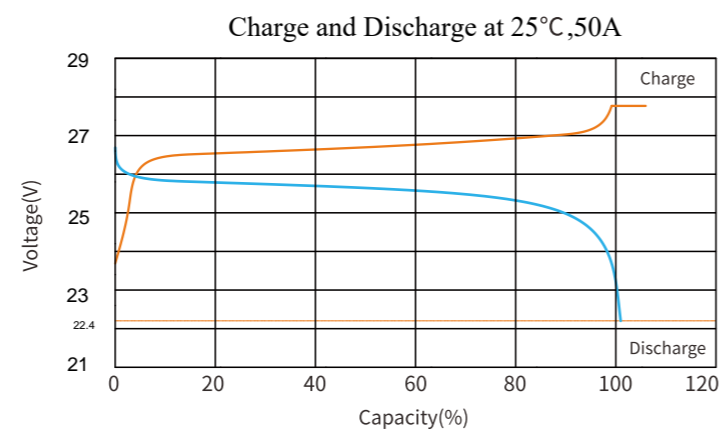
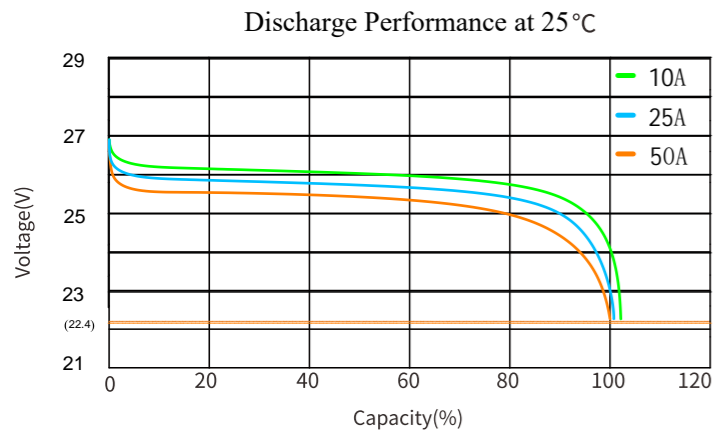
### Compliance

Certifications	Cell UN38.3
	Battery UN38.3
Transport Appraisal	UN3480,CLASS 9

# System Management Diagram



# Characteristics Curve



# Cautions

1. Do NOT short circuit, crush or disassemble.
2. Do NOT heat or incinerate.
3. Do NOT immerse in any liquid.
4. Store at 50% capacity. Recharge every 3 months. The storage area should be clean, cool, dry and ventilated.
5. Disconnect charging source prior to connecting or disconnecting battery terminals.
6. Do not dispose of batteries in a fire as they can explode.
7. Do not open, alter, or mutilate batteries. Released electrolyte is harmful to skin and eyes. It may be toxic.
8. Do not mix different types and brands of lithium-ion batteries.
9. Do not dispose in trash, follow local regulations and manufacturer's instruction.
10. See installation instructions before connecting to the supply.
11. The battery cabinet receives power from more than one source. Disconnection of all DC sources is required to De-energize this unit before installing or servicing. Wait 5 minutes before opening the unit.
12. Do not install on or over combustible surfaces.
13. Refer to manual before servicing.
14. Do not touch bare terminals.